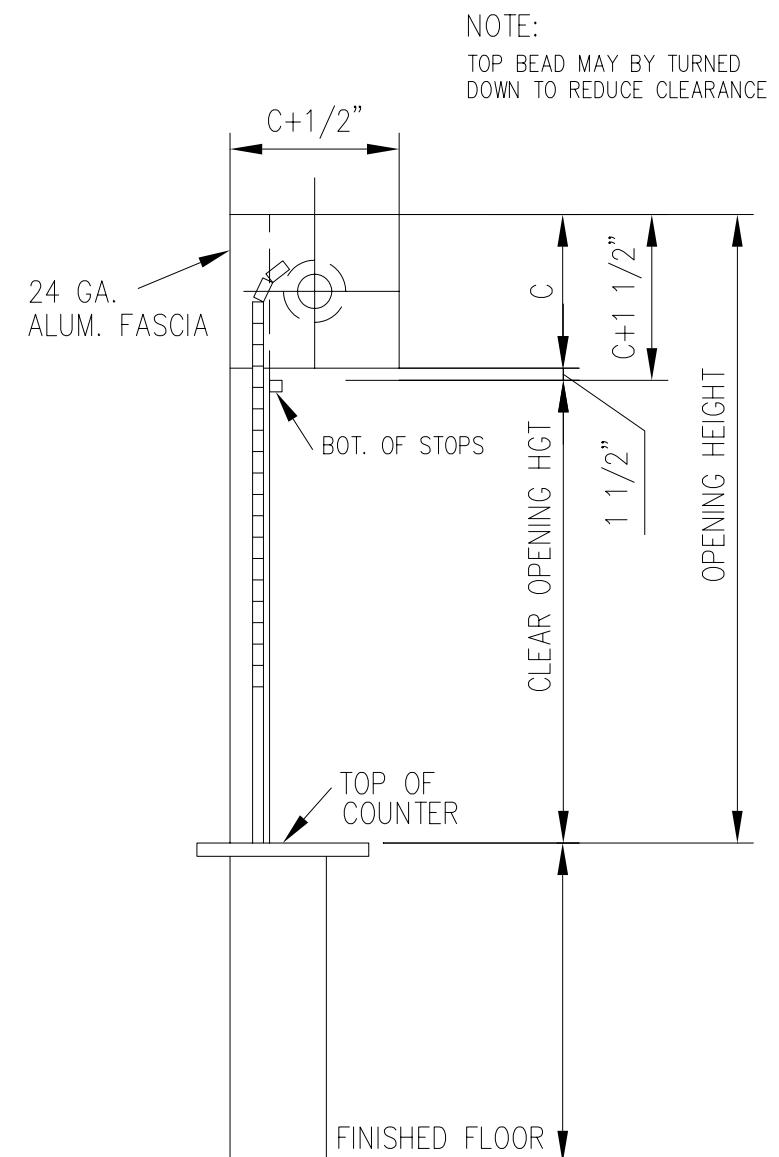


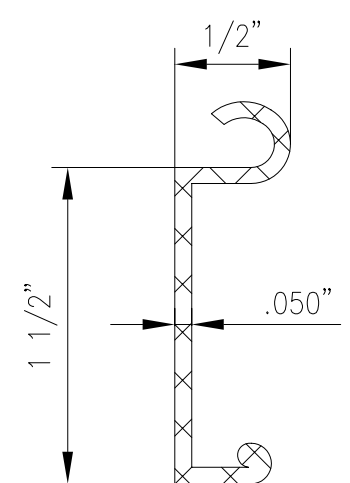
INSIDE (COIL SIDE) ELEVATION



SECTION A-A

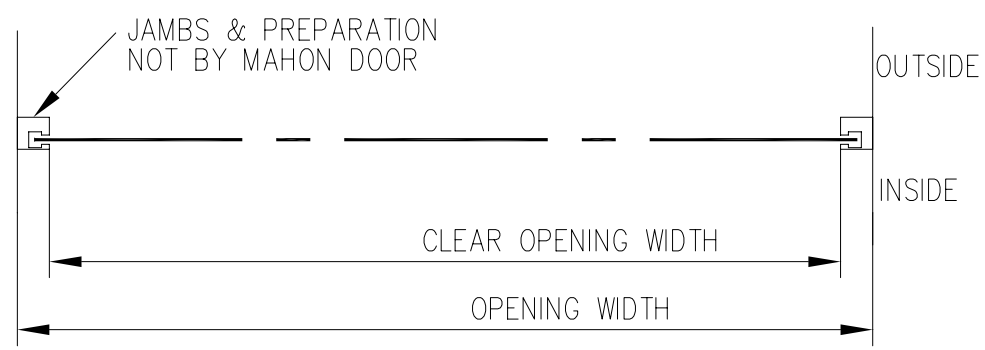
NOTE:
TOP BEAD MAY BY TURNED
DOWN TO REDUCE CLEARANCE

CLEAR OPENING HGT.	C
TO 5'-1"	10"
5'-1" TO 8'-0"	12"

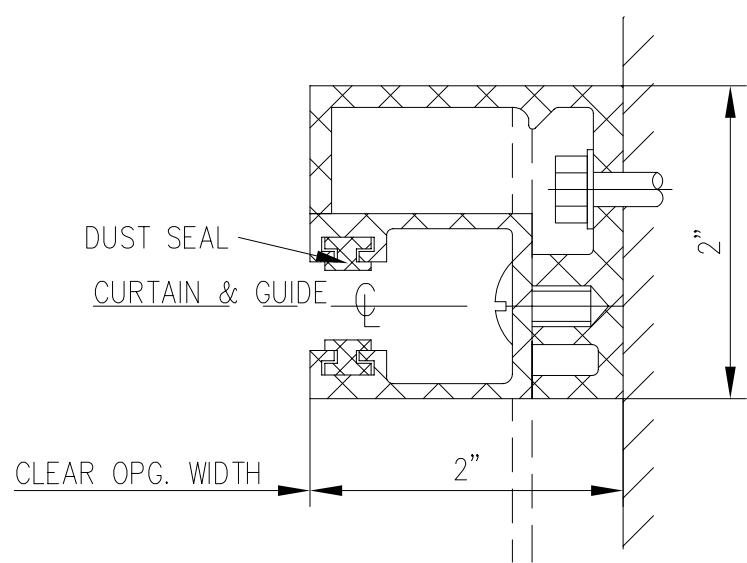


E5: SLAT SECTION
EXTRUDED ALUM.

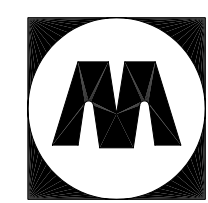
STANDARD FINISH:
ALL ALUMINUM SURFACES SHALL BE
CLEAR SATIN ANODIZED. OTHER PARTS SHALL
RECEIVE ONE SHOP COAT OF ALUM. PAINT.
SPECIAL FINISH:



PLAN VIEW



GUIDE DETAIL



MAHON DOOR
CORPORATION

TITLE					CONTRACT No.
BETWEEN JAMB MOUNTED ALUM. COUNTER SHUTTER-SP2A					
JOB					DWG No.
DRAWN BY	DATE	CHECKED			
PRINTS		REVISIONS			
DATE	PRINT	DATE	No.	DESCRIPTION	